

◆ Order Information / 訂貨索引: :

Fiber			PSC		08	01	N	D	
Photo Sensor	Anti-Bending Inductive Proximity Sensor 耐彎抗拉型近接開關	PSC						D	M8 Pigtailed type M8接頭15cm 電線式
	Tubular type 圓管形	SC						D1	M8 Plug-in connector type M8接頭式
Area Sensor	Long Sensing Range Inductive Proximity Sensor 距離加長型近接開關	TSC						K	M12 Pigtailed type M12接頭15cm 電線式
								K1	M12 Plug-in connector type (Plastic) M12接頭式(塑膠)
Ultrasonic Sensors	Standard housing 標準規格							M1	M12 Plug-in connector type (Metal) M12接頭式(金屬)
	Short housing 短管	S							Pre-wired 2M model
Inductive Proximity Sensor	Long housing 長管	L						N	Output NPN N.O.
	Plastic housing 塑膠管	P						P	Output PNP N.O.
Capacitive Proximity Sensor								N2	Output NPN N.C.
	Tubular outside diameter 圓管外徑Ø4	04						P2	Output PNP N.C.
Timer / Counter	Tubular outside diameter 圓管外徑M5	05			Sensing distance 檢測距離 1mm	01		KP2	NPN.NO/NC& PNP.NO/NC All in one
	Tubular outside diameter 圓管外徑M8	08			Sensing distance 檢測距離 2mm	02		A	Output SCR.NO
Others	Tubular outside diameter 圓管外徑M12	12			Sensing distance 檢測距離 3mm	03		A2	Output SCR.NC
	Tubular outside diameter 圓管外徑M18	18			Sensing distance 檢測距離 4mm	04		LA	Linear 4~20 mA
	Tubular outside diameter 圓管外徑M30	30			Sensing distance 檢測距離 5mm	05			
Accessories					Sensing distance 檢測距離 6mm	06			
					Sensing distance 檢測距離 7mm	07	Sensing distance 檢測距離 15mm	15	
					Sensing distance 檢測距離 8mm	08	Sensing distance 檢測距離 20mm	20	
					Sensing distance 檢測距離 10mm	10	Sensing distance 檢測距離 25mm	25	

Fiber
Photo Sensor
Area Sensor
Ultrasonic Sensors
Inductive Proximity Sensor
Capacitive Proximity Sensor
Timer / Counter
Others
Accessories



◆ Introduction / 介紹 :

- Special line-out design for bending resistance and tensile.it will upgrade the durability and life. / 獨特的出線包覆設計，抗拉、耐彎曲，提升耐用度和壽命；




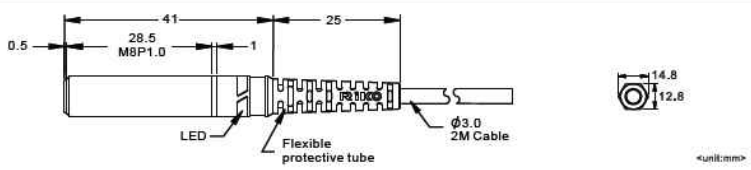

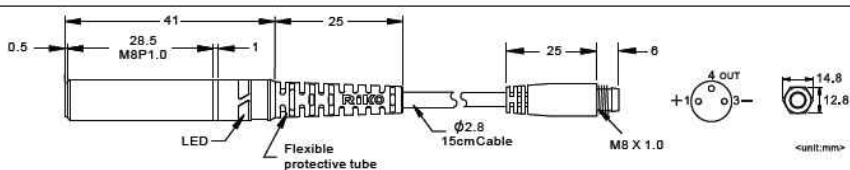

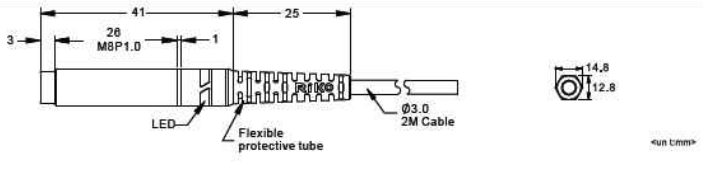

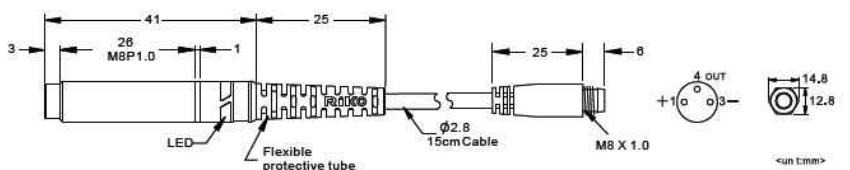
- The IP67 rating is designed to the effective waterproof. / 保護結構達到IP67的規格，能有效的防水



- Visible dual LED makes you easy to know the current operating situation. / 清晰易見的LED指示燈，工作狀態顯露明了。



◆ Specifications / 規格表 :

PSC0801-□ 					
PSC0801-□D 					
PSC0802-□ 					
PSC0802-□D 					
Output method / 輸出模式	NPN N.O.	PSC0801-N	PSC0801-ND	PSC0802-N	PSC0802-ND
	NPN N.C.	PSC0801-N2	PSC0801-N2D	PSC0802-N2	PSC0802-N2D
	PNP N.O.	PSC0801-P	PSC0801-PD	PSC0802-P	PSC0802-PD
	PNP N.C.	PSC0801-P2	PSC0801-P2D	PSC0802-P2	PSC0802-P2D
	NPN N.O./N.C.	-	-	-	-
	PNP N.O./N.C.	-	-	-	-
	SCR N.O.	-	-	-	-
SCR N.C.	-	-	-	-	
Sensing type / 檢出方式	Shielded / 隔離型		Unshielded / 非隔離型		
Description / 外型	Standard / 標準M8				
Standard sensing object / 標準檢測物	Iron 8 × 8 × 1 mm				
Sensing distance / 檢出距離	1 mm		2 mm		
Secure sensing distance / 建議距離	0 to 0.8 mm		0 to 1.6 mm		
Hysteresis / 遲滯	≤ 10 % of sensing distance				
Response time / 反應時間	1 ms Max.				
Operating voltage / 工作電壓	DC12 ~ 24 V				
Current consumption / 消耗電流	≤ 8 mA no-load				
Load current / 負載電流	100 mA Max at DC 24V				
Leakage current / 漏電流	≤ 1.1 mA no-load				
Residual voltage / 殘餘電壓	≤ DC 2V				
Insulation resistance / 隔離阻抗	20M Ω min. (DC500V)				
Voltage withstandability / 絕緣耐壓	AC1000V 60Hz for 60 Sec.				
Operating temperature / 工作溫度	-20°C ~ +60°C				
Protection degree / 防水等級	IP 67				
Wiring method / 出線方式	Pre-wired Ø3 x 2M / 3-wires	M8 pigtailed type / M8接頭15cm電線式	Pre-wired Ø3 x 2M / 3-wires	M8 pigtailed type / M8接頭15cm電線式	
Weight / 重量	Approx.30g	Approx.12g	Approx.30g	Approx.12g	

Fiber

Photo Sensor

Area Sensor

Ultrasonic Sensors


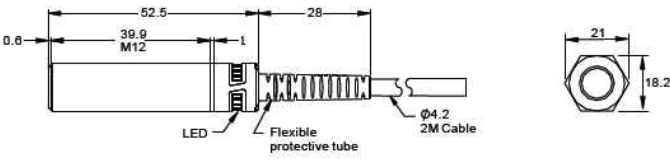

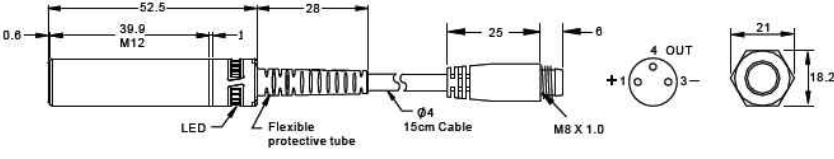

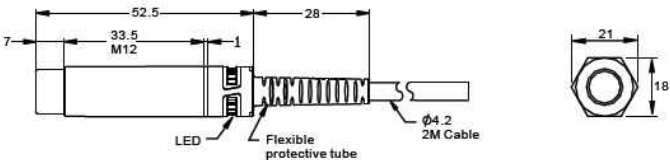

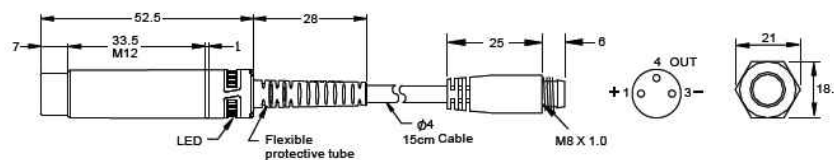
Inductive Proximity Sensor

Capacitive Proximity Sensor

Timer / Counter


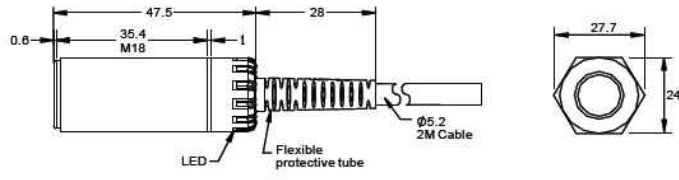

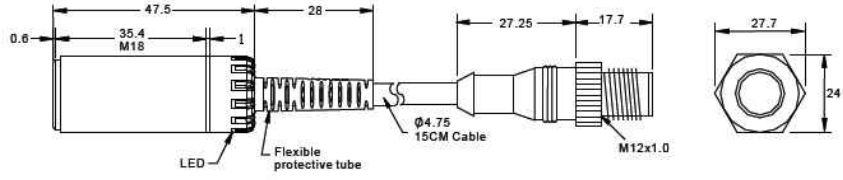

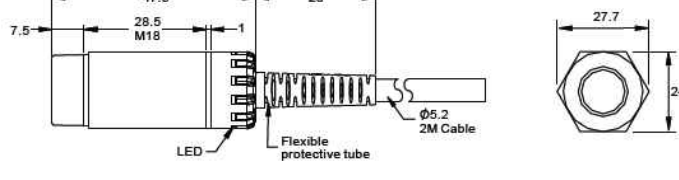

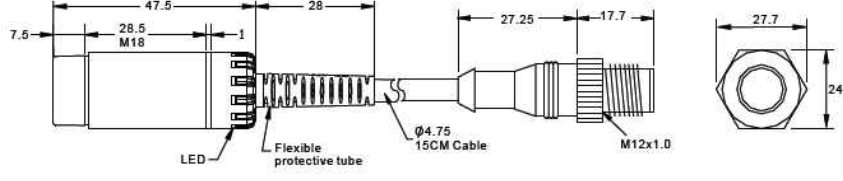
Others

Accessories

Fiber	PSC1203-□ 					
Photo Sensor	PSC1203-□D 					
Area Sensor	PSC1206-□ 					
Ultrasonic Sensors	PSC1206-□D 					
Inductive Proximity Sensor						
Capacitive Proximity Sensor	Output method / 輸出模式	NPN N.O.	PSC1203-N	PSC1203-ND	PSC1206-N	PSC1206-ND
		NPN N.C.	PSC1203-N2	PSC1203-N2D	PSC1206-N2	PSC1206-N2D
		PNP N.O.	PSC1203-P	PSC1203-PD	PSC1206-P	PSC1206-PD
		PNP N.C.	PSC1203-P2	PSC1203-P2D	PSC1206-P2	PSC1206-P2D
		NPN N.O./N.C.	-	-	-	-
		PNP N.O./N.C.	-	-	-	-
		SCR N.O.	-	-	-	-
		SCR N.C.	-	-	-	-
Timer / Counter	Sensing type / 檢出方式	Shielded / 隔離型		Unshielded / 非隔離型		
	Description / 外型	Standard / 標準M12				
	Standard sensing object / 標準檢測物	Iron 12 × 12 × 1 mm				
	Sensing distance / 檢出距離	3 mm		6 mm		
	Secure sensing distance / 建議距離	0 to 2.4 mm		0 to 4.8 mm		
	Hysteresis / 遲滯	≤ 10 % of sensing distance				
	Response time / 反應時間	DC Type 1 ms Max.				
	Operating voltage / 工作電壓	DC 12 ~ 24 V or				
	Current consumption / 消耗電流	DC: ≤ 14 mA no-load				
	Load current / 負載電流	DC: 100 mA Max at DC 24V				
	Leakage current / 漏電流	≤ 1.1 mA no-load				
	Residual voltage / 殘餘電壓	≤ DC 2V				
	Insulation resistance / 隔離阻抗	20MΩ min. (DC500V)				
	Voltage withstandability / 絕緣耐壓	AC1000V 60Hz for 60 Sec.				
	Operating temperature / 工作溫度	-20°C ~ + 60°C				
	Protection degree / 防水等級	IP 67				
	Wiring method / 出線方式	Ø4.2x2M/3-wires	M8 pigtailed type / M8接頭15cm電線式	Ø4.2x2M/3-wires	M8 pigtailed type / M8接頭15cm電線式	
	Weight / 重量	Approx. 64g	Approx. 48.4g	Approx. 65g	Approx. 49.4g	


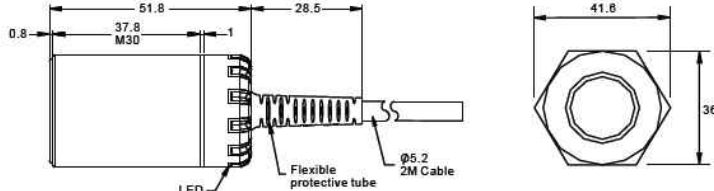

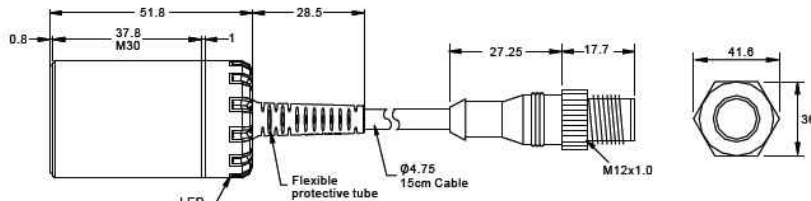

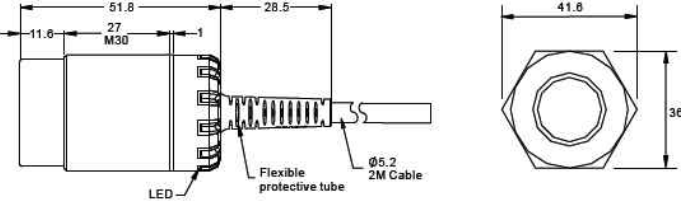

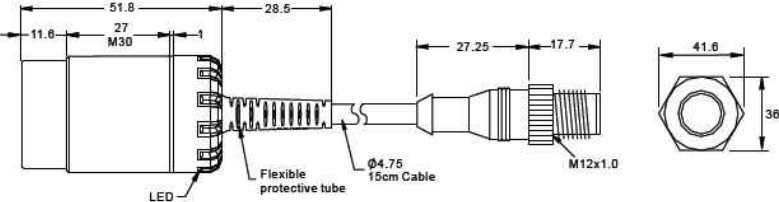

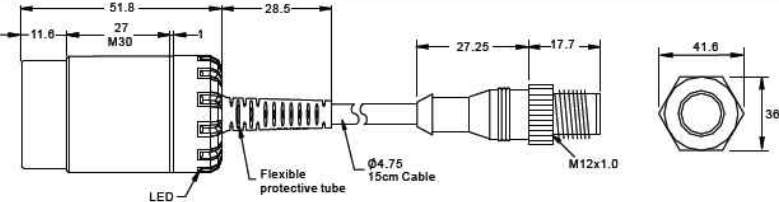
Anti-Bending Inductive Proximity Sensor



<p>PSC1806-□</p> 	
<p>PSC1806-□K</p> 	
<p>PSC1812-□</p> 	
<p>PSC1812-□K</p> 	

Output method / 輸出模式	NPN N.O.	PSC1806-N	PSC1806-NK	PSC1812-N	PSC1812-NK
	NPN N.C.	PSC1806-N2	PSC1806-N2K	PSC1812-N2	PSC1812-N2K
	PNP N.O.	PSC1806-P	PSC1806-PK	PSC1812-P	PSC1812-PK
	PNP N.C.	PSC1806-P2	PSC1806-P2K	PSC1812-P2	PSC1812-P2K
	NPN N.O./N.C. PNP N.O./N.C.	-	-	-	-
	SCR N.O.	-	-	-	-
	SCR N.C.	-	-	-	-
Sensing type / 檢出方式	Shielded / 隔離型		Unshielded / 非隔離型		
Description / 外型	Standard / 標準M18				
Standard sensing object / 標準檢測物	Iron 18x 18 x 1 mm				
Sensing distance / 檢出距離	6 mm		12 mm		
Secure sensing distance / 建議距離	0 to 4.8 mm		0 to 9.6 mm		
Hysteresis / 遲滯	≤ 10 % of sensing distance				
Response time / 反應時間	2 ms Max.				
Operating voltage / 工作電壓	DC 12 ~ 24 V				
Current consumption / 消耗電流	DC: ≤ 14 mA no-load				
Load current / 負載電流	DC: 100 mA Max at DC 24V				
Leakage current / 漏電流	≤ 1.1 mA no-load				
Residual voltage / 殘餘電壓	≤ DC 2V				
Insulation resistance / 隔離阻抗	20MΩ min. (DC500V)				
Voltage withstandability / 絕緣耐壓	AC1000V 60Hz for 60 Sec.				
Operating temperature / 工作溫度	-20°C ~ + 60°C				
Protection degree / 防水等級	IP 67				
Wiring method / 出線方式	Ø5.2x2M/3-wires	M12 pigtailed type / M12接頭15cm電線式	Ø5.2x2M/3-wires	M12 pigtailed type / M12接頭15cm電線式	
Weight / 重量	Approx.93g	Approx.40.5g	Approx.92g	Ap prox.39.5g	

- Fiber
- Photo Sensor
- Area Sensor
- Ultrasonic Sensors
- Inductive Proximity Sensor
- Capacitive Proximity Sensor
- Timer / Counter
- Others
- Accessories

Fiber																																																																																																																																			
Photo Sensor																																																																																																																																			
Area Sensor																																																																																																																																			
Ultrasonic Sensors																																																																																																																																			
Inductive Proximity Sensor																																																																																																																																			
Capacitive Proximity Sensor	<table border="1"> <tr> <td rowspan="7">Output method / 輸出模式</td> <td>NPN N.O.</td> <td>PSC3012-N</td> <td>PSC3012-NK</td> <td>PSC3018-N</td> <td>PSC3018-NK</td> </tr> <tr> <td>NPN N.C.</td> <td>PSC3012-N2</td> <td>PSC3012-N2K</td> <td>PSC3018-N2</td> <td>PSC3018-N2K</td> </tr> <tr> <td>PNP N.O.</td> <td>PSC3012-P</td> <td>PSC3012-PK</td> <td>PSC3018-P</td> <td>PSC3018-PK</td> </tr> <tr> <td>PNP N.C.</td> <td>PSC3012-P2</td> <td>PSC3012-P2K</td> <td>PSC3018-P2</td> <td>PSC3018-P2K</td> </tr> <tr> <td>NPN N.O./N.C.</td> <td>-</td> <td>-</td> <td>-</td> <td>-</td> </tr> <tr> <td>PNP N.O./N.C.</td> <td>-</td> <td>-</td> <td>-</td> <td>-</td> </tr> <tr> <td>SCR N.O.</td> <td>-</td> <td>-</td> <td>-</td> <td>-</td> </tr> </table>	Output method / 輸出模式	NPN N.O.	PSC3012-N	PSC3012-NK	PSC3018-N	PSC3018-NK	NPN N.C.	PSC3012-N2	PSC3012-N2K	PSC3018-N2	PSC3018-N2K	PNP N.O.	PSC3012-P	PSC3012-PK	PSC3018-P	PSC3018-PK	PNP N.C.	PSC3012-P2	PSC3012-P2K	PSC3018-P2	PSC3018-P2K	NPN N.O./N.C.	-	-	-	-	PNP N.O./N.C.	-	-	-	-	SCR N.O.	-	-	-	-	<table border="1"> <tr> <td>Sensing type / 檢出方式</td> <td colspan="2">Shielded / 隔離型</td> <td colspan="2">Unshielded / 非隔離型</td> </tr> <tr> <td>Description / 外型</td> <td colspan="4">Standard / 標準M30</td> </tr> <tr> <td>Standard sensing object / 標準檢測物</td> <td colspan="4">Iron 30×30×1 mm</td> </tr> <tr> <td>Sensing distance / 檢出距離</td> <td colspan="2">12mm</td> <td colspan="2">18mm</td> </tr> <tr> <td>Secure sensing distance / 建議距離</td> <td colspan="2">0 to 9.6mm</td> <td colspan="2">0 to 14.4 mm</td> </tr> <tr> <td>Hysteresis / 遲滯</td> <td colspan="4">≤ 10 % of sensing distance</td> </tr> <tr> <td>Response time / 反應時間</td> <td colspan="4">3.3 ms Max.</td> </tr> <tr> <td>Operating voltage / 工作電壓</td> <td colspan="4">DC 12 ~ 24 V</td> </tr> <tr> <td>Current consumption / 消耗電流</td> <td colspan="4">DC: ≤ 16 mA no-load</td> </tr> <tr> <td>Load current / 負載電流</td> <td colspan="4">DC: 100 mA Max at DC 24V</td> </tr> <tr> <td>Leakage current / 漏電流</td> <td colspan="4">≤ 1.1 mA no-load</td> </tr> <tr> <td>Residual voltage / 殘餘電壓</td> <td colspan="4">≤ DC 2V</td> </tr> <tr> <td>Insulation resistance / 隔離阻抗</td> <td colspan="4">20MΩ min. (DC500V)</td> </tr> <tr> <td>Voltage withstandability / 絕緣耐壓</td> <td colspan="4">AC1000V 60Hz for 60 Sec.</td> </tr> <tr> <td>Operating temperature / 工作溫度</td> <td colspan="4">-20°C ~ + 60°C</td> </tr> <tr> <td>Protection degree / 防水等級</td> <td colspan="4">IP 67</td> </tr> <tr> <td>Wiring method / 出線方式</td> <td>Ø5.2x2M/3-wires</td> <td>M12 pigtailed type / M12接頭15cm電線式</td> <td>Ø5.2x2M/3-wires</td> <td>M12 pigtailed type / M12接頭15cm電線式</td> </tr> <tr> <td>Weight / 重量</td> <td>Approx.141g</td> <td>Approx.88.5g</td> <td>Approx.129g</td> <td>Approx.76.5g</td> </tr> </table>				Sensing type / 檢出方式	Shielded / 隔離型		Unshielded / 非隔離型		Description / 外型	Standard / 標準M30				Standard sensing object / 標準檢測物	Iron 30×30×1 mm				Sensing distance / 檢出距離	12mm		18mm		Secure sensing distance / 建議距離	0 to 9.6mm		0 to 14.4 mm		Hysteresis / 遲滯	≤ 10 % of sensing distance				Response time / 反應時間	3.3 ms Max.				Operating voltage / 工作電壓	DC 12 ~ 24 V				Current consumption / 消耗電流	DC: ≤ 16 mA no-load				Load current / 負載電流	DC: 100 mA Max at DC 24V				Leakage current / 漏電流	≤ 1.1 mA no-load				Residual voltage / 殘餘電壓	≤ DC 2V				Insulation resistance / 隔離阻抗	20MΩ min. (DC500V)				Voltage withstandability / 絕緣耐壓	AC1000V 60Hz for 60 Sec.				Operating temperature / 工作溫度	-20°C ~ + 60°C				Protection degree / 防水等級	IP 67				Wiring method / 出線方式	Ø5.2x2M/3-wires	M12 pigtailed type / M12接頭15cm電線式	Ø5.2x2M/3-wires	M12 pigtailed type / M12接頭15cm電線式	Weight / 重量	Approx.141g	Approx.88.5g	Approx.129g	Approx.76.5g
Output method / 輸出模式	NPN N.O.		PSC3012-N	PSC3012-NK	PSC3018-N	PSC3018-NK																																																																																																																													
	NPN N.C.		PSC3012-N2	PSC3012-N2K	PSC3018-N2	PSC3018-N2K																																																																																																																													
	PNP N.O.		PSC3012-P	PSC3012-PK	PSC3018-P	PSC3018-PK																																																																																																																													
	PNP N.C.		PSC3012-P2	PSC3012-P2K	PSC3018-P2	PSC3018-P2K																																																																																																																													
	NPN N.O./N.C.		-	-	-	-																																																																																																																													
	PNP N.O./N.C.		-	-	-	-																																																																																																																													
	SCR N.O.	-	-	-	-																																																																																																																														
Sensing type / 檢出方式	Shielded / 隔離型		Unshielded / 非隔離型																																																																																																																																
Description / 外型	Standard / 標準M30																																																																																																																																		
Standard sensing object / 標準檢測物	Iron 30×30×1 mm																																																																																																																																		
Sensing distance / 檢出距離	12mm		18mm																																																																																																																																
Secure sensing distance / 建議距離	0 to 9.6mm		0 to 14.4 mm																																																																																																																																
Hysteresis / 遲滯	≤ 10 % of sensing distance																																																																																																																																		
Response time / 反應時間	3.3 ms Max.																																																																																																																																		
Operating voltage / 工作電壓	DC 12 ~ 24 V																																																																																																																																		
Current consumption / 消耗電流	DC: ≤ 16 mA no-load																																																																																																																																		
Load current / 負載電流	DC: 100 mA Max at DC 24V																																																																																																																																		
Leakage current / 漏電流	≤ 1.1 mA no-load																																																																																																																																		
Residual voltage / 殘餘電壓	≤ DC 2V																																																																																																																																		
Insulation resistance / 隔離阻抗	20MΩ min. (DC500V)																																																																																																																																		
Voltage withstandability / 絕緣耐壓	AC1000V 60Hz for 60 Sec.																																																																																																																																		
Operating temperature / 工作溫度	-20°C ~ + 60°C																																																																																																																																		
Protection degree / 防水等級	IP 67																																																																																																																																		
Wiring method / 出線方式	Ø5.2x2M/3-wires	M12 pigtailed type / M12接頭15cm電線式	Ø5.2x2M/3-wires	M12 pigtailed type / M12接頭15cm電線式																																																																																																																															
Weight / 重量	Approx.141g	Approx.88.5g	Approx.129g	Approx.76.5g																																																																																																																															
Timer / Counter																																																																																																																																			
Others																																																																																																																																			
Accessories																																																																																																																																			