

Features

- * Direct acting.
- * Quick response.
- * Timer for setting on/off time as optional accessory.
- * Ex-proof coil is available, please refer to page 7-7, 7-8.
- * Coil nut is available, please refer to page 7-4, 7-6.



How to order

PU220	AR	V	- 01	1	N	- S	1	LED	E1
Brass 2/2 way direct acting	Series	Diaphragm	Port size	Pressure	Thread	Solenoid	Voltage	LED	Ex-proof coil
	AR Square body	Blank NBR	01 1/8"	Blank Standard	Blank G		1 110VAC	Blank W/O LED	Blank DIN
		V VITON	02 1/4"	1 High pressure	N NPT		2 220VAC		E1 EX-proof 22mm width
		E EPDM	03 3/8"	2 Medium pressure	R Rc		9 24VDC		E2 EX-proof 30mm width
		H HNBR							E3 EX-proof CSA standard
									E4 EX-proof 36mm width

***High pressure & Medium pressure are only available for PU220AR-01 & PU220AR-02*

PU220AR-03 is only available for E4 ex-proof coil.

Specifications

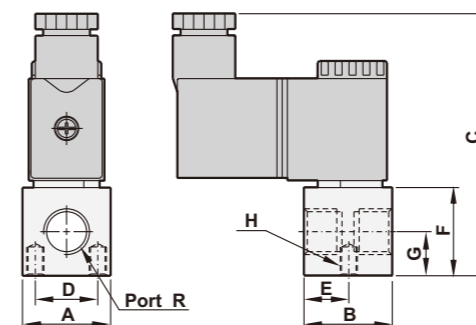
Model	PU220AR-01	PU220AR-011	PU220AR-012	PU220AR-02	PU220AR-021	PU220AR-022	PU220AR-03
Port size	1/8"			1/4"		3/8"	
Fluid	Compressed air (light oil, water)						
Orifice	1.5mm	0.8mm	1.2mm	2.3mm	1.2mm	1.5mm	8.0mm
Effective area	1.8mm ²			3.3mm ²		20.64mm ²	
Acting	Direct acting						Assisted lift
Construction	Gasket						Diaphragm
Operating pressure range AC	0~8.5 kgf/cm ²	0~20kgf/cm ²	0~16kgf/cm ²	0~8.5kgf/cm ²	0~20kgf/cm ²	0~16kgf/cm ²	0~8.5kgf/cm ²
Operating pressure range DC	0~7 kgf/cm ²	0~13kgf/cm ²	0~10kgf/cm ²	0~7kgf/cm ²	0~13kgf/cm ²	0~10kgf/cm ²	0~7kgf/cm ²
Proof pressure	10 kgf/cm ²						
Body material	Forged Brass						
Fluid temperature	-10℃ ~ 90℃						
Ambient temperature	-10℃ ~ 60℃						
Installation	Any direction (Horizontal is recommended)						
Duty cycle	100% ED						
Coil type	DIN						
Protection class	IP65 (DIN 40 050)						
Insulation class	F						
Voltage tolerance	±10%						
Standard voltage	220VAC, 110VAC, 24VDC The other voltage is optional						
Power consumption	AC: 6.0VA, DC: 4.8W						AC110V:17.6VA, AC220V:18.1VA, DC: 15W
Net weight	175g		255g		510g		

Seal material selection guide

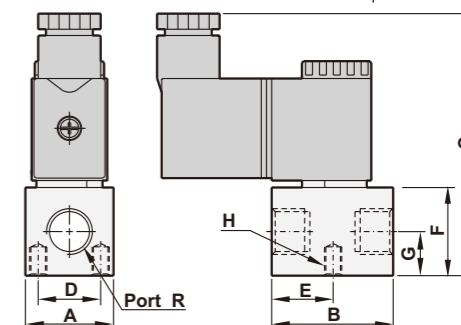
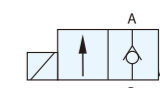
Seal	Temperature range	Suitable fluid	Unsuitable fluid
NBR	-15℃ ~ 80℃	Air, Water, Neutral gases, Mineral oil	Fuel oil, Gasoline and Hi-test gasoline, Diesel fuel
HNBR	-40℃ ~ 150℃	Air, Water, Gear oil, Engine oil	Pharmaceutical liquid, Gasoline and Hi-test gasoline, Light oil
VITON	-10℃ ~ 180℃	Fuel oil, Gasoline and Hi-test gasoline, Diesel fuel	Hot water, Steam, Brake oil (ATE Blue)
EPDM	-5℃ ~ 130℃	Hot water, Detergent liquid	Mineral oil, Gasoline

Dimensions

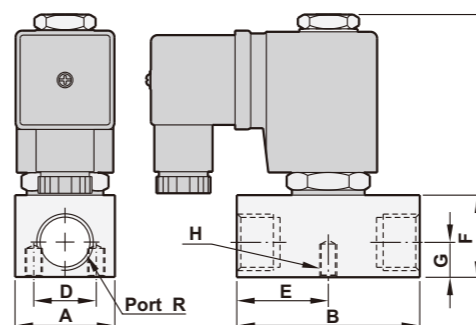
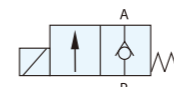
PU220AR-01



PU220AR-02

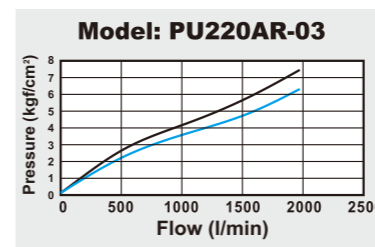
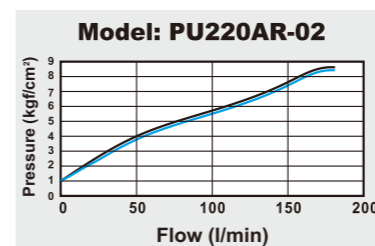


PU220AR-03



Model	PU220AR-01	PU220AR-02	PU220AR-03
R	1/8"	1/4"	3/8"
A	22	25.4	30
B	22	35	55
C	72	75	79
D	15	18	18
E	11	17.5	27.5
F	22	25.4	25
G	7.5	12.7	11
H	M4xP0.7xL6.5	M5xP0.8xL7.0	M5xP0.8xL7.0

Flow chart



Explosion

PU220AR-03

Zero pressure differential operation pilot acting

